

No Frills Modular AC Series



The No Frills Modular AC delivers a practical and reliable source of fresh water to boaters with high supply demands. The NFM AC gives you absolute water independence for various leisures such as extended voyages, ocean crossings, or fishing.

Max Production:
75 Gal (284 Lit) / hour*

Benefits

- Top mount membrane option for 400 & 600 models
- Semi-modular frame allows flexible installation options.
- Ideal for extended cruises or voyages.



*Highest capacity model (NFM AC-1800)

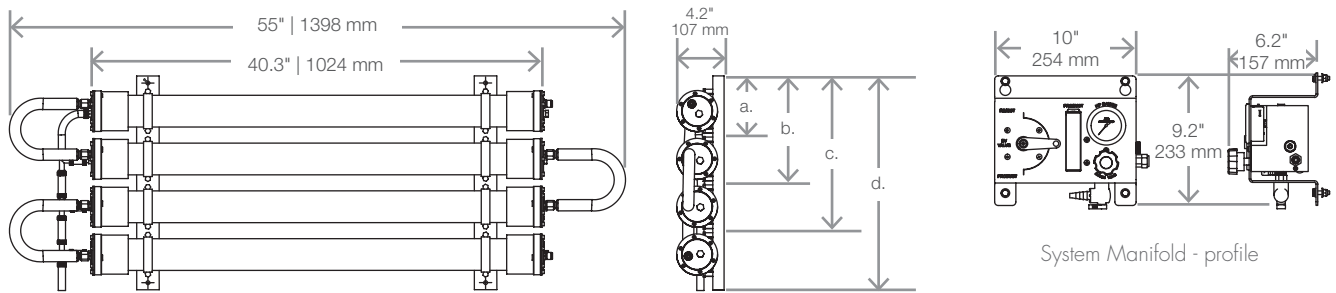


NFM AC system

No Frills Modular AC - Specifications | Dimensions

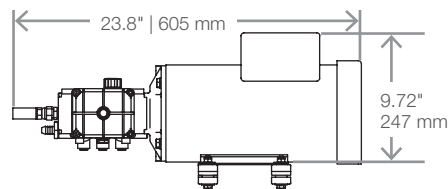
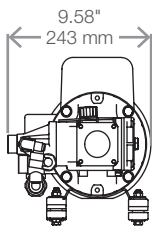
Model Number	Power Supply Volts/Phase/Hertz/Amps	Per Hour	Weight
NFMAC-500	110 / 1 / 60 / 18 220 / 1 / 60 / 8 230 / 1 / 50 / 8 230-460/3/50-60/6-4	21 gal / 79 Lit	92 lbs / 42 kg
NFMAC-800	110 / 1 / 60 / 18 220 / 1 / 60 / 9 230 / 1 / 50 / 8 230-460/3/50-60/6-4	33 gal / 125 Lit	100 lbs / 45 kg
NFMAC-1000	220 / 1 / 60 / 12* 230 / 1 / 50 / 12.5 230-460/3/50-60/6-5	42 gal / 158 Lit	133 lbs / 60 kg
NFMAC-1300	220 / 1 / 60 / 12* 230 / 1 / 50 / 12.5 230-460/3/50-60/6-5	54 gal / 205 Lit	153 lbs / 70 kg
NFMAC-1800	220 / 1 / 60 / 12* 380/3/50/7.5 460/3/60/7	75 gal / 284 Lit	168 lbs / 76 kg

* For 110/50-60/1 Please Inquire With Factory

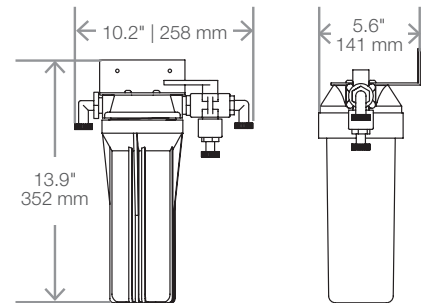


Membrane Assembly

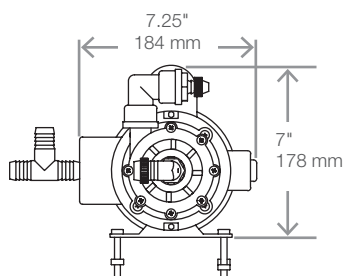
- a. NFMAC-500: 6" | 152mm
- b. NFMAC-800/NFMAC-1000: 9.75" | 248mm
- c. NFMAC-1300: 15.25" | 387mm
- d. NFMAC-1800: 19" | 483mm



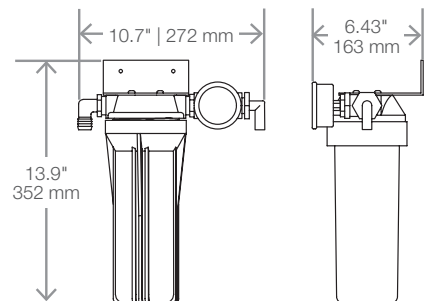
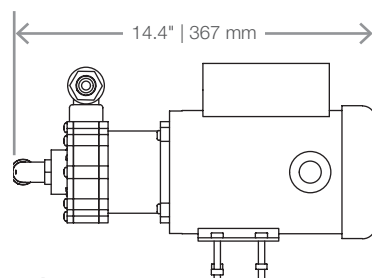
High Pressure Pump



Fresh Water Flush



Booster Pump



Pre-Filter