

Filter Housings

For Cartridge Sediment Filters
30-S



Parker Village Marine offers stainless steel (SS316) filter housings specifically designed for seawater use. Simple but secure closure systems allow quick cartridge change. Powder coated shells offer superior corrosion resistance. Fasteners and clamps are stainless steel.

Contact Information:

Parker Hannifin Corporation
Water Purification
2630 E. El Presidio Street
Carson, CA 90810

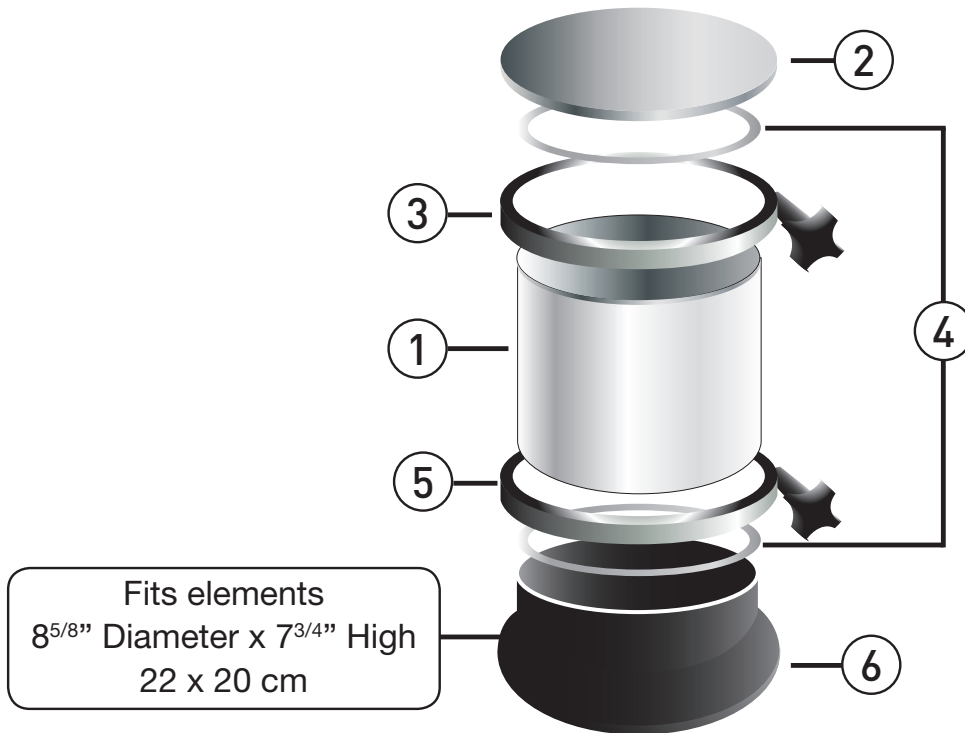
phone (310) 608-5600
fax (310) 608-5692
waterpurification@parker.com
www.parker.com/waterpurification



Village Marine 30-S

Filter Housings

For Cartridge Sediment Filters
30S



Model 30-S

Model	DWG	Description	Part Number	Inlet Outlet
30-S		Filter Assembly	30-0030	1.5" NPT
	1	Shell	33-0110	
	2	Lid	33-0033	
	3	Top Clamp	90-0002	
	4	O-ring (each)	30-0405	
	5	Bottom Clamp	90-0003	
	6	Base	33-0300	

To maintain peak performance always use genuine Parker Village Marine replacement parts.
We reserve the right to change our specifications or standards without notice.