

Filter Housings

For Cartridge Sediment Filters

100-X

30-S



Racor Village Marine offers stainless steel (SS316) filter housings specifically designed for seawater use.

Simple but secure closure systems allow quick cartridge change. Powder coated shells offer superior corrosion resistance. Fasteners and clamps are stainless steel.

Contact Information:

Parker Hannifin Corporation
Racor Division/Village Marine Tec.
2000 W. 135th St.
Gardena, CA 90249

phone 310 516 9911
fax 310 538 3048
racor@parker.com
www.villagemarine.com

www.parker.com/racor



Village Marine 100-X



Village Marine 30-S



ENGINEERING YOUR SUCCESS.

Filter Housings

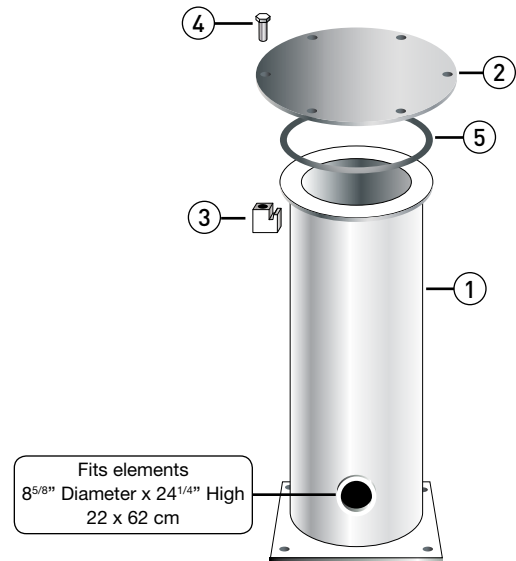
For Cartridge Sediment Filters

100-X

30S

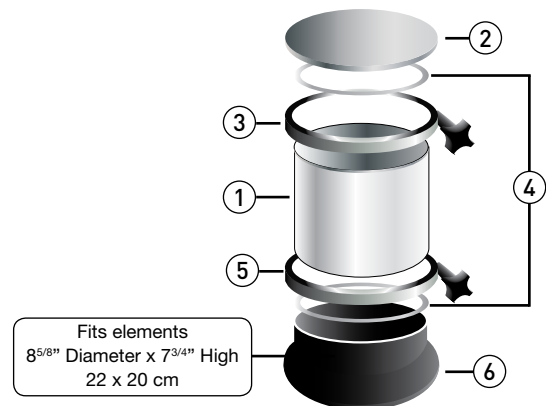
Model 100-X

Model	DWG	Description	Part Number	Inlet Outlet
100-X		Filter Assembly	30-0101	1.5" NPT
	1	Shell	33-0114	
	2	Lid	34-0102	
	3	Clamps (each)	30-1510	
	4	Fasteners (each)	86-0382	
	5	O-ring	32-0007	



Model 30-S

Model	DWG	Description	Part Number	Inlet Outlet
30-S		Filter Assembly	30-0030	1.5" NPT
	1	Shell	33-0110	
	2	Lid	33-0033	
	3	Top Clamp	90-0002	
	4	O-ring (each)	33-0405	
	5	Bottom Clamp	90-0003	
	6	Base	33-0300	



To maintain peak performance always use genuine Parker-Racor/Village Marine Tec. replacement parts. We reserve the right to change our specifications or standards without notice.