

Pressure Vessel Assemblies

For Seawater Elements



Contact Information:

Parker Hannifin Corporation
Racor Division/Village Marine Tec.
2630 E. El Presidio Street
Carson, CA 90810

phone 310 516 9911
fax 310 538 3048
racor@parker.com
www.villagemarine.com

www.parker.com/racor

Key Features:

Racor Village Marine RO membrane pressure vessels feature non-metallic wetted surfaces for excellent corrosion resistance.

Simple end plug design allows quick removal for element servicing.

If the size you require is not shown please contact us for custom builds.

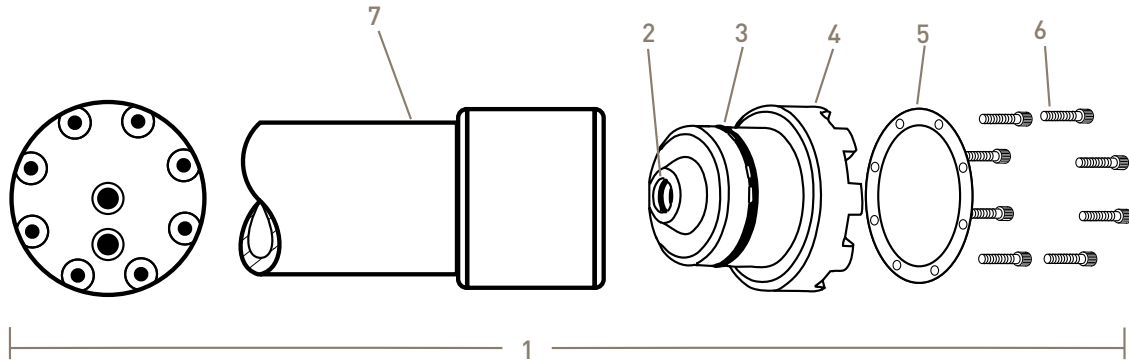
- Operating Pressure: 1000 psi/68 bar
- Shell: Filament Wound fiberglass
- Collars: 6061 T-6 Powdercoated aluminum
- End Plugs: Thermoplastic
- End Ring: 6061 T-6 Anodized aluminum on 2.5" and 4" size
- SS316 on 6" size
- Fasteners: SS316



ENGINEERING YOUR SUCCESS.

Pressure Vessel Assemblies

For Seawater Elements



Part Numbers:

Item	Description	Quantity per Assembly	2.5" x 19"	2.5" x 38"	4" x 40"	6" x 40"	
1	Vessel Assembly**		32-2519	32-2537*	32-0444	32-6040	
2	Product O-ring	4	32-2116	32-2116	32-2116	32-2229	
3	End Plug O-ring	2	32-2228	32-2228	32-4342	32-0640	
4	End Plug	2	32-2513*	32-2513*	32-4012	32-6012	
5	End Ring	2	32-4013	32-4013	32-4014	32-0096	
6	Capscrews	***	86-0106	86-0106	86-0123	86-0136	
7	Shell	White	1	32-0025	32-0026	Please Call	Please Call
		Gray	1	32-0098	32-0099	32-4001	32-0001
Weight (lbs/kg)			5/2	7/3	22/10	45/20	

Notes:

*End Plug 32-2517 is also available for 2.5" vessels, which offers straight, coarse thread feed/reject port used on some VMT PW watermakers. Use of coarse thread end plug changes the vessel assembly p/n to 32-2538

**Membrane not included. For applicable membrane elements see bulletin No. 7897 (Aqua Pro RO Membranes)

*** Capscrews:
Order 6 per end plug on 2.5" size
Order 8 per end plug on 4" size
Order 10 per en plug on 6" size

To maintain peak performance always use genuine Parker-Racor/Village Marine Tec. replacement parts. We reserve the right to change our specifications or standards without notice.